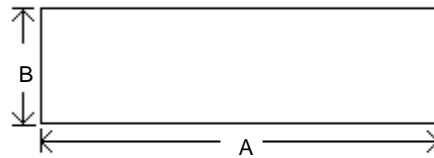
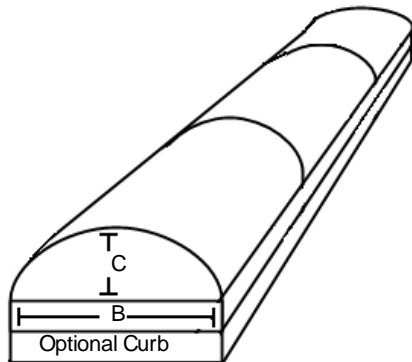




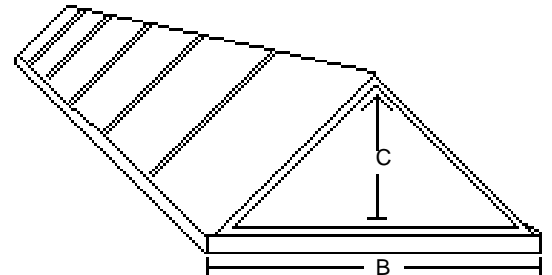
Vaulted Skylights

Continuous Vault



Top View Without Mullions

Gable End Hip & Ridge



SPECIFICATIONS

Vaulted Skylights shall be manufactured by Lubbock Skylight Mfg [(800) 390-2301]. Each skylight shall be factory assembled with thermoformed acrylic (polycarbonate). Due to the unique qualities of individual skylights--detailed specifications will be provided for each particular skylight. Finish shall be natural aluminum (mill), bronze or custom color. Skylight is designed and manufactured to meet or exceed standard of 40 psf live load and 20psf (uplift). ALL UNITS ARE GUARANTEED AGAINST DEFECTIVE WORKMANSHIP AND MATERIAL.

PROJECT NAME	PO / JOB #	NEED DATE	TODAY'S DATE
PROJECT DELIVERY ADDRESS	CITY / STATE / ZIP	SITE CONTACT / PHONE	
REQUESTED BY	PHONE	COMPANY	
ADDRESS	CITY / STATE / ZIP	APPROVAL SIGNATURE	

QTY	TYPE	MEASUREMENTS		
	<input type="checkbox"/> CONTINUOUS VAULT <input type="checkbox"/> RIDGE MOUNT	A	B	C

QTY	TYPE	MEASUREMENTS		
	<input type="checkbox"/> CONTINUOUS VAULT <input type="checkbox"/> RIDGE MOUNT	A	B	C

DOME	MATERIAL			COLOR			FRAME FINISH
	ACRYLIC	POLYCARBONATE	HIGH IMPACT	CLEAR	BRONZE	WHITE	
OUTER	<input type="checkbox"/>	<input type="checkbox"/>	<input type="checkbox"/>	<input type="checkbox"/>	<input type="checkbox"/>	<input type="checkbox"/>	<input type="checkbox"/> NATURAL ALUMINUM
INNER	<input type="checkbox"/>	<input type="checkbox"/>	--	<input type="checkbox"/>	<input type="checkbox"/>	<input type="checkbox"/>	<input type="checkbox"/> BRONZE PAINT
							<input type="checkbox"/> CUSTOM COLOR _____

NOTES