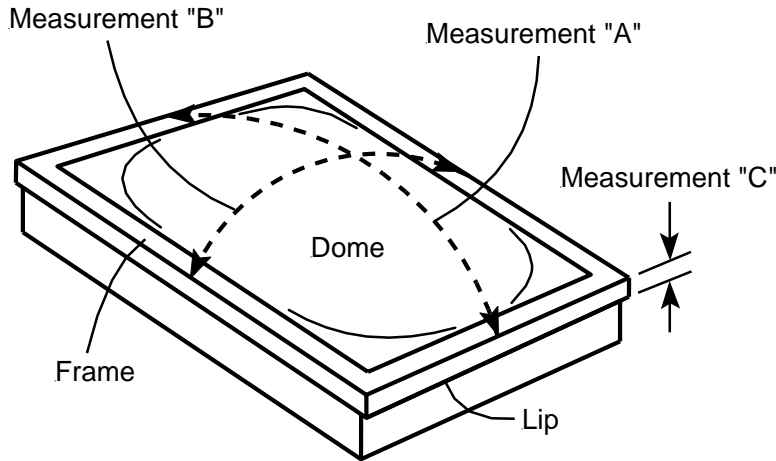


SOLAR SCREEN

Skylight Measuring Worksheet

Measure in inches over center of dome between top outside edge of skylight metal frame for both length and width. Multiply length (A) by width (B) and divide result by 144 for conversion to sq. ft. to determine price. Also, measure the vertical dimension of overhanging metal lip (C). Custom orders should be placed using *inches* for length, width and lip. (See Pricing Sheet to calculate prices.)



Skylight #1

Measurement "A" = _____ in.
 Measurement "B" = _____ in.
 Measurement "C" = _____ in.
 Quantity: _____ **Block:** 80% 90%
Color: brown gray **Lens:** dome flat

Skylight #2

Measurement "A" = _____ in.
 Measurement "B" = _____ in.
 Measurement "C" = _____ in.
 Quantity: _____ **Block:** 80% 90%
Color: brown gray **Lens:** dome flat

Skylight #3

Measurement "A" = _____ in.
 Measurement "B" = _____ in.
 Measurement "C" = _____ in.
 Quantity: _____ **Block:** 80% 90%
Color: brown gray **Lens:** dome flat

Skylight #4

Measurement "A" = _____ in.
 Measurement "B" = _____ in.
 Measurement "C" = _____ in.
 Quantity: _____ **Block:** 80% 90%
Color: brown gray **Lens:** dome flat

Comments: _____

Authorized Signature: _____ Date: _____