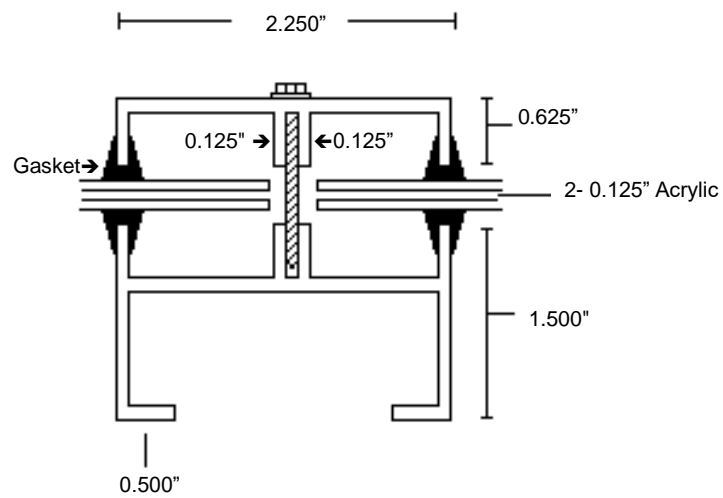




Mullion Detail



Aluminum:: 0.062" (6063-T5) extruded aluminum except walls of screw placement channel as indicated above.

Gaskets:: 0.375" black neoprene

Fasteners:: Stainless Steel

Material:: Acrylic

Thickness:: 1/8"

MULLION DETAIL_LSM 020718