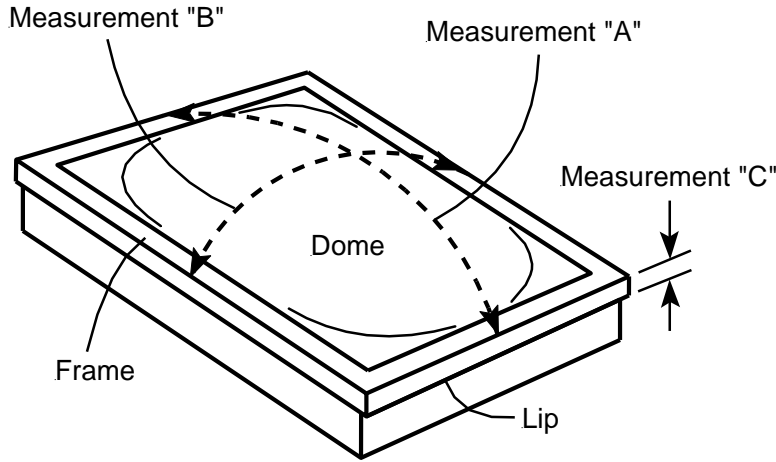




Solar Shade

Skylight Measuring Worksheet

Measure in inches over center of dome between top outside edge of skylight metal frame for both length and width. Multiply length (A) by width (B) and divide result by 144 for conversion to sq. ft. to determine price. Also, measure the vertical dimension of overhanging metal lip (C). Custom orders should be placed using inches for length, width and lip. (See Pricing Sheet to calculate prices.)



Skylight #1

Measurement "A" = \_\_\_\_\_ in.  
Measurement "B" = \_\_\_\_\_ in.  
Measurement "C" = \_\_\_\_\_ in.  
Quantity: \_\_\_\_\_ **Block:** 80% 90%  
**Color:** brown gray **Lens:** dome flat

Skylight #2

Measurement "A" = \_\_\_\_\_ in.  
Measurement "B" = \_\_\_\_\_ in.  
Measurement "C" = \_\_\_\_\_ in.  
Quantity: \_\_\_\_\_ **Block:** 80% 90%  
**Color:** brown gray **Lens:** dome flat

Skylight #3

Measurement "A" = \_\_\_\_\_ in.  
Measurement "B" = \_\_\_\_\_ in.  
Measurement "C" = \_\_\_\_\_ in.  
Quantity: \_\_\_\_\_ **Block:** 80% 90%  
**Color:** brown gray **Lens:** dome flat

Skylight #4

Measurement "A" = \_\_\_\_\_ in.  
Measurement "B" = \_\_\_\_\_ in.  
Measurement "C" = \_\_\_\_\_ in.  
Quantity: \_\_\_\_\_ **Block:** 80% 90%  
**Color:** brown gray **Lens:** dome flat

PROJECT NAME	PO / JOB #	NEED DATE	TODAY'S DATE
PROJECT DELIVERY ADDRESS	CITY / STATE / ZIP	SITE CONTACT / PHONE	
REQUESTED BY	PHONE	COMPANY	
ADDRESS	CITY / STATE / ZIP	APPROVAL SIGNATURE	