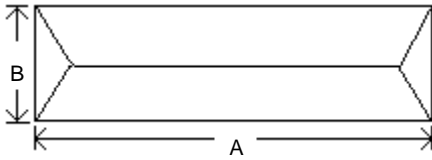
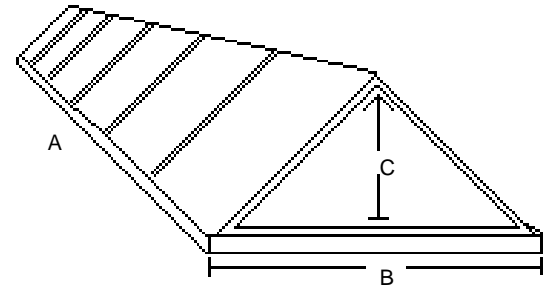
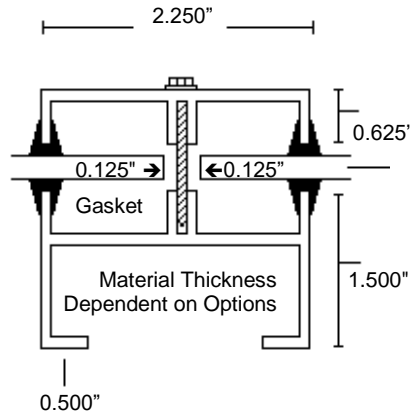


Hip & Ridge Skylights

Top View Without Mullions



Mullion Detail



SPECIFICATIONS: Hip & Ridge Skylights shall be manufactured by LBK Skylight Mfg [(800) 390-2301]. Each skylight shall be factory assembled with thermoformed acrylic (polycarbonate) (structured polycarbonate). Polycarbonate or acrylic glazing can be 2412 bronze over clear or 2447 white over clear in a variety of thicknesses. Structured polycarbonate available in white (opal), bronze or clear in a variety of thicknesses. Due to the unique qualities of individual skylights--detailed specifications will be provided for each particular skylight. Finish shall be natural aluminum (mill), bronze or custom color. Skylight is designed and manufactured to meet or exceed standard of 40 psf live load and 20psf (uplift). Some sizes may have material and/or color limitations.
 ALL UNITS ARE GUARANTEED AGAINST DEFECTIVE WORKMANSHIP AND MATERIAL.

QTY	TYPE	MEASUREMENTS		
	<input type="checkbox"/> HIP & RIDGE	A	B	C

QTY	TYPE	MEASUREMENTS		
	<input type="checkbox"/> HIP & RIDGE	A	B	C

GLAZING	MATERIAL				COLOR			FRAME FINISH	
	ACRYLIC	COMMERCIAL DUTY	POLYCARBONATE	STRUCTURED POLYCARBONATE	CLEAR	BRONZE	WHITE	<input type="checkbox"/> NATURAL ALUMINUM	<input type="checkbox"/> BRONZE PAINT
OUTER					<input type="checkbox"/>	<input type="checkbox"/>	<input type="checkbox"/>	<input type="checkbox"/>	<input type="checkbox"/>
INNER					<input type="checkbox"/>	<input type="checkbox"/>	<input type="checkbox"/>	<input type="checkbox"/>	<input type="checkbox"/> CUSTOM COLOR

NOTES

PROJECT NAME	PO / JOB #	LEAD TIME (IN WEEKS)	TODAY'S DATE
PROJECT DELIVERY ADDRESS	CITY / STATE / ZIP	SITE CONTACT / PHONE	
REQUESTED BY	PHONE	COMPANY	
ADDRESS	CITY / STATE / ZIP	APPROVAL SIGNATURE	