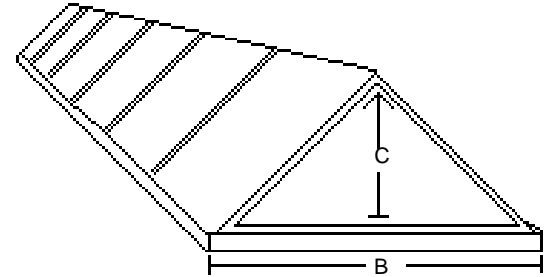
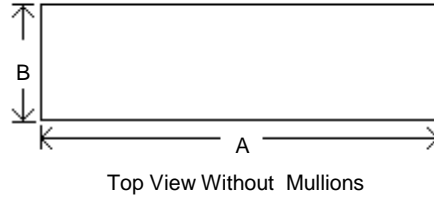
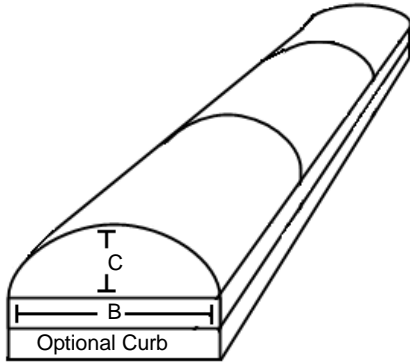




VAULTED SKYLIGHTS

CONTINUOUS VAULT (CV)

GABLE END RIDGE (GER)



SPECIFICATIONS: Continuous vault (CV) or gable-end ridge (GER) skylights as manufactured by LBK Skylight Manufacturing [(800) 390-2301] shall be factory assembled with one of the following options: ACRYLIC--2412 bronze over clear or 2447 white over clear acrylic in either 0.118" over 0.118" (standard duty), 0.187" over 0.118" (commercial duty) or 0.177" 100%DR Impact Modified Acrylic over 0.177" acrylic. POLYCARBONATE--2412 bronze over clear or 2447 white over clear over either polycarbonate over acrylic or polycarbonate over acrylic (all 0.118"). STRUCTURED POLYCARBONATE--8-32mm in either bronze, opal (white) or clear. INSULATED GLASS—1.125" Overall thickness which is tempered, loE coated outboard glass, argon-filled air space and laminated inboard glass. Finish shall be mill (natural aluminum), bronze or custom color. Skylight is designed and manufactured to meet or exceed standard of 40 psf live load and 20psf (uplift). Please refer to our long specification for all glazing details.

ALL UNITS ARE GUARANTEED AGAINST DEFECTIVE WORKMANSHIP AND MATERIAL.

QTY	TYPE	MEASUREMENTS			
	<input type="checkbox"/> GABLE END RIDGE	A	B	PITCH	C

QTY	TYPE	MEASUREMENTS		
	<input type="checkbox"/> CONTINUOUS VAULT	A	B	C

DOME PLACEMENT	MATERIAL					
	ACRYLIC	IMPACT MODIFIED ACRYLIC	COMMERCIAL DUTY	INSULATED GLASS	POLYCARBONATE	6-32 MM STRUCTURED POLYCARBONATE
OUTER						
INNER						

COLOR			
CLEAR	BRONZE	GRAY	CUSTOM COLOR

FRAME FINISH
<input type="checkbox"/> NATURAL ALUMINUM
<input type="checkbox"/> BRONZE PAINT
<input type="checkbox"/> CUSTOM COLOR

NOTES

PROJECT NAME	PO / JOB #	LEAD TIME (IN WEEKS)	TODAY'S DATE
PROJECT DELIVERY ADDRESS	CITY / STATE / ZIP	SITE CONTACT / PHONE	
REQUESTED BY	PHONE	COMPANY	
ADDRESS	CITY / STATE / ZIP	APPROVAL SIGNATURE	