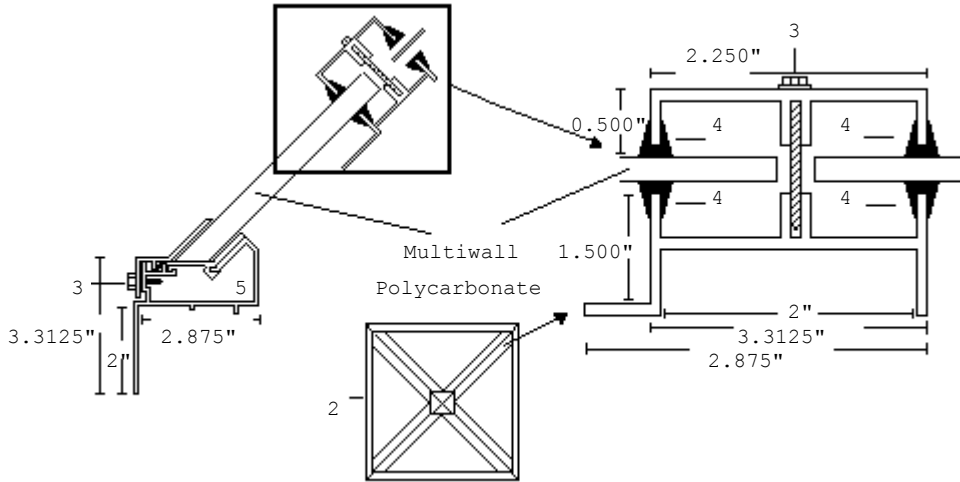




**CURB MOUNT PYRAMID SKYLIGHT**

**MODEL CMMW-PYR**

**FRAME CUT AWAY**



1	16mm White, Bronze or Clear Multiwall Polycarbonate	5	Condensation Gutter
2	0.125" Custom Aluminum (6063-T5) Retaining Rail		0.062" Extruded Aluminum (6063-T5) Frame
3	0.250" Stainless Steel Fasteners		0.062" Extruded Aluminum (6063-T5) Mullion Bar
4	0.375" Black Neoprene Gasket		0.062" Extruded Aluminum (6063-T5) Mullion Cap

**SPECIFICATIONS:** CURB MOUNT PYRAMID SKYLIGHTS AS MANUFACTURED BY LUBBOCK SKYLIGHT MANUFACTURING SHALL BE FACTORY ASSEMBLED WITH 16MM WHITE, BRONZE OR CLEAR MULTI-WALL POLYCARBONATE. FRAMES, RETAINING RAILS, MULLION BARS AND MULLION CAPS SHALL BE 0.062" (6063-T5) EXTRUDED ALUMINUM WITH WELDED CORNERS. FRAMES HAVE AN INTEGRAL CONDENSATION GUTTER AND WEEP HOLES. ALL ALUMINUM SHALL BE NATURAL (MILL) FINISH, UNLESS OTHERWISE SPECIFIED.

PROJECT NAME <b>MONTEREY BAPTIST CHURCH</b>	PO / JOB #	NEED DATE	TODAY'S DATE <b>06/26/12</b>
PROJECT DELIVERY ADDRESS	CITY / STATE / ZIP <b>LUBBOCK, TX</b>	SITE CONTACT / PHONE	
REQUESTED BY	PHONE	COMPANY	
ADDRESS	CITY / STATE / ZIP	APPROVAL SIGNATURE	

	MULTI-WALL POLYCARBONATE	COLOR		
		WHITE	BRONZE	CLEAR
<b>8MM</b>	<input type="checkbox"/>	<input type="checkbox"/>	<input type="checkbox"/>	<input type="checkbox"/>
<b>10MM</b>	<input type="checkbox"/>	<input type="checkbox"/>	<input type="checkbox"/>	<input type="checkbox"/>
<b>16MM</b>	<input checked="" type="checkbox"/>	<input type="checkbox"/>	<input type="checkbox"/>	<input type="checkbox"/>

\*\*Some Sizes May Have Color And/Or Material Limitations\*\*

SKYLIGHT FRAME FINISH
<input checked="" type="checkbox"/> NATURAL ALUMINUM (MILL)
<input type="checkbox"/> BRONZE PAINT
<input type="checkbox"/> CUSTOM COLOR _____

CURB OPTIONS
<input checked="" type="checkbox"/> NO CURB NEEDED
<input type="checkbox"/> SEAL SKYLIGHT TO CURB
<input type="checkbox"/> NATURAL ALUMINUM (MILL)
<input type="checkbox"/> CUSTOM COLOR _____
<input type="checkbox"/> INSULATED
<input type="checkbox"/> NON-INSULATED

CURB HEIGHT
<input type="checkbox"/> 6" <input type="checkbox"/> 12"
<input type="checkbox"/> 9" <input type="checkbox"/>

QTY	INSIDE FRAME MEASUREMENT	ROUGH OPENING
<b>2</b>	<b>≈ 96" x 96"</b>	

## 16MM MULTI-WALL POLYCARBONATE::

Light Transmission (ASTM-D1003)

Clear 62%

Bronze 25%

White 40%

U Factor 0.335

R-Value R-1/U 2.98

Maintains its durability. Even when exposed to elevated outdoor temperatures over a long period of time--it will maintain its structural integrity. Resists cracking and splintering during fabrication, assuring a high degree of safety.

High thermal resistance--giving excellent thermal insulating values while blocking UV transmission.

Classified in accordance with ASTM Flammability standards and have an exceptional fire performance and do not give off toxic gasses.

Impact resistance is 200 times greater than glass and 10 times greater than acrylic. (8mm panel is so strong it can withstand the impact of a 16 lb. weight, falling 25 feet onto the panel, with no breakage.) It will maintain its impact strength over a wide temperature range from - 40°F to 250°F.