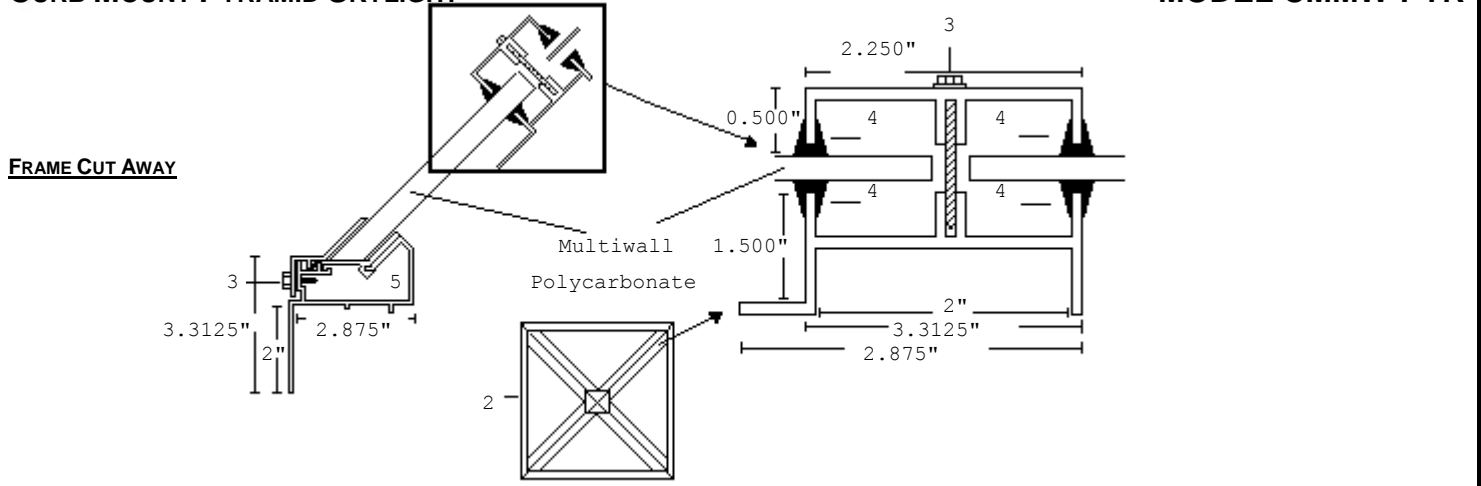


CURB MOUNT PYRAMID SKYLIGHT

MODEL CMMW-PYR



1	White, Bronze or Clear Multiwall Polycarbonate	5	Condensation Gutter
2	0.125" Custom Aluminum (6063-T5) Retaining Rail		0.062" Extruded Aluminum (6063-T5) Frame
3	0.250" Stainless Steel Fasteners		0.062" Extruded Aluminum (6063-T5) Mullion Bar
4	0.375" Black Neoprene Gasket		0.062" Extruded Aluminum (6063-T5) Mullion Cap

SPECIFICATIONS: Curb Mount Pyramid Skylights as manufactured by Lubbock Skylight Manufacturing shall be factory assembled with white, bronze, gray or clear structured polycarbonate. Frames, retaining rails, mullion bars and mullion caps shall be 0.062" (6063-T5) extruded aluminum with welded corners. Frames have an integral condensation gutter and weep holes. All aluminum shall be natural (mill) finish, unless otherwise specified. Some sizes may have color and/or material limitations. Skylight is designed and manufactured to meet or exceed standard of 40 psf live load and 20psf (uplift). ALL UNITS ARE GUARANTEED AGAINST DEFECTIVE WORKMANSHIP AND MATERIAL.

THICK	STRUCTURED POLYCARBONATE	COLOR			
		WHITE	GRAY	BRONZE	CLEAR
8MM	<input type="checkbox"/>	<input type="checkbox"/>	<input type="checkbox"/>	<input type="checkbox"/>	<input type="checkbox"/>
10MM	<input type="checkbox"/>	<input type="checkbox"/>	<input type="checkbox"/>	<input type="checkbox"/>	<input type="checkbox"/>
16MM	<input type="checkbox"/>	<input type="checkbox"/>	<input type="checkbox"/>	<input type="checkbox"/>	<input type="checkbox"/>
25MM	<input type="checkbox"/>	<input type="checkbox"/>	<input type="checkbox"/>	<input type="checkbox"/>	<input type="checkbox"/>

SKYLIGHT FRAME FINISH

NATURAL ALUMINUM (MILL)

BRONZE PAINT

CUSTOM COLOR _____

CURB OPTIONS

NO CURB NEEDED

SEAL SKYLIGHT TO CURB

NATURAL ALUMINUM (MILL)

CUSTOM COLOR _____

INSULATED

NON-INSULATED

CURB HEIGHT

6" 12"

9"

QTY	INSIDE FRAME MEASUREMENT	ROUGH OPENING

PROJECT NAME	PO / JOB #	NEED DATE	TODAY'S DATE
PROJECT DELIVERY ADDRESS	CITY / STATE / ZIP	SITE CONTACT / PHONE	
REQUESTED BY	PHONE	COMPANY	
ADDRESS	CITY / STATE / ZIP	APPROVAL SIGNATURE	

CMMWPYR 012716