



800.390.2301 Phone or Fax

www.LBKSkylight.com

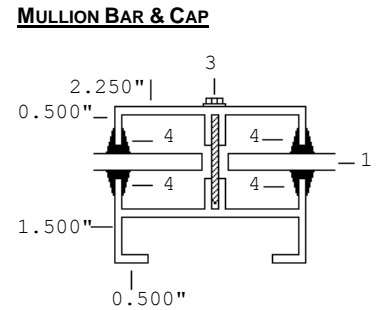
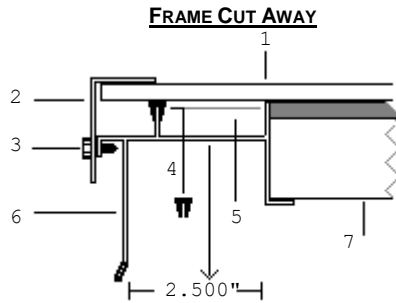
::AUSTIN:: 512.320.9972

::OKC:: 405.445.3487

::CORPORATE OFFICE | 701 N Interstate 27 | Lubbock, TX 79403 | 806.744.2300::

CURB MOUNT MULTIWALL CLUSTER SKYLIGHT

MODEL CMMWCL



1	White, Bronze, Gray or Clear Structured (MultiWall) Polycarbonate	5	Condensation Gutter
2	1.250" x 1.250" x 0.125" Aluminum (6063-T5) Retaining Rail	6	0.062" Extruded Aluminum (6063-T5) Frame
3	Stainless Steel Fasteners	7	0.062" Extruded Aluminum (6063-T5) Mullion Bar
4	0.375" Black Neoprene Gasket	8	0.062" Extruded Aluminum (6063-T5) Mullion Cap

::SPECIFICATIONS:: Curb Mount Cluster Skylights as manufactured by LBK Skylight Manufacturing (800) 390.2301 shall be factory assembled with 25mm, 16mm, 10mm or 8mm, white, bronze, gray or clear structured (multi-wall) polycarbonate. Frames, retaining rails, mullion bars and mullion caps shall be 0.062" (6063-T5) extruded aluminum with welded corners. Frames have an integral condensation gutter and weep holes. All aluminum shall be natural (mill) finish, unless otherwise specified. Some sizes may have color and/or material limitations. All units are guaranteed against defective workmanship and material.

MULTI-WALL POLYCARBONATE THICKNESS	
8MM	<input type="checkbox"/>
10MM	<input type="checkbox"/>
16MM	<input type="checkbox"/>
25MM	<input type="checkbox"/>

COLOR			
WHITE	BRONZE	GRAY	CLEAR
<input type="checkbox"/>	<input type="checkbox"/>	<input type="checkbox"/>	<input type="checkbox"/>
<input type="checkbox"/>	<input type="checkbox"/>	<input type="checkbox"/>	<input type="checkbox"/>
<input type="checkbox"/>	<input type="checkbox"/>	<input type="checkbox"/>	<input type="checkbox"/>
<input type="checkbox"/>	<input type="checkbox"/>	<input type="checkbox"/>	<input type="checkbox"/>

SKYLIGHT FRAME FINISH
<input type="checkbox"/> NATURAL ALUMINUM (MILL)
<input type="checkbox"/> BRONZE PAINT
<input type="checkbox"/> CUSTOM COLOR _____

CURB OPTIONS
<input type="checkbox"/> NO CURB NEEDED
<input type="checkbox"/> SEAL SKYLIGHT TO CURB
<input type="checkbox"/> NATURAL ALUMINUM (MILL)
<input type="checkbox"/> CUSTOM COLOR _____
<input type="checkbox"/> INSULATED
<input type="checkbox"/> NON-INSULATED

QTY	INSIDE FRAME MEASUREMENT	ROUGH OPENING

CURB HEIGHT
<input type="checkbox"/> 6" <input type="checkbox"/> 12"
<input type="checkbox"/> 9" <input type="checkbox"/>

PROJECT NAME	PO / JOB #	NEED DATE	TODAY'S DATE
PROJECT DELIVERY ADDRESS	CITY / STATE / ZIP	SITE CONTACT / PHONE	
REQUESTED BY	PHONE	COMPANY	
ADDRESS	CITY / STATE / ZIP	APPROVAL SIGNATURE	